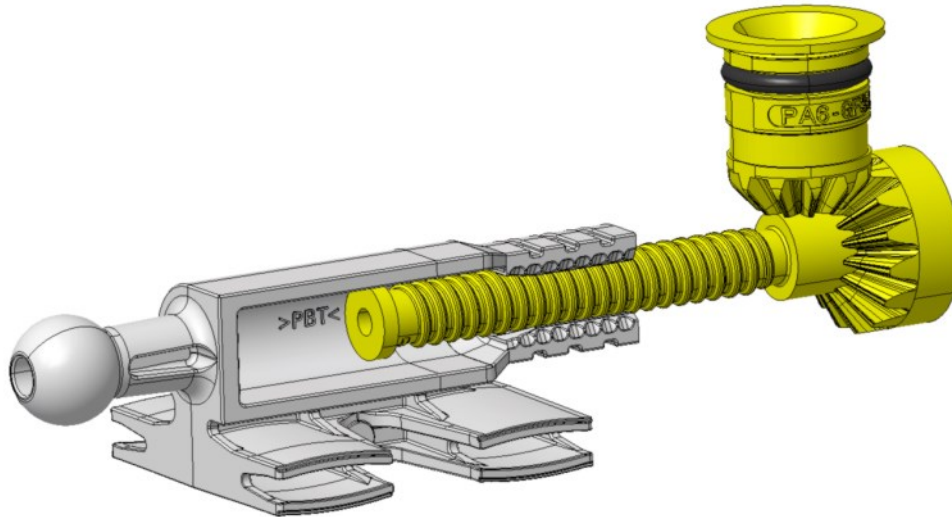


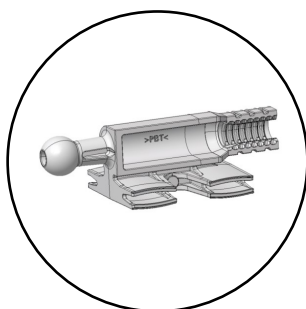
COMPONENT Adjustment System

Aiming of headlamp light modules

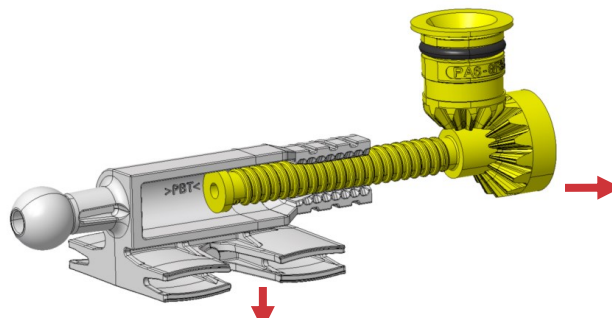


Benefits:

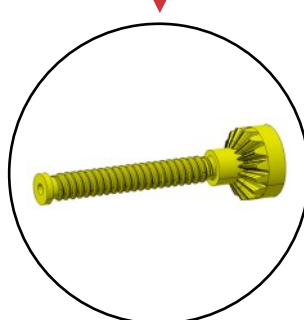
- EJOT developed robust thread and gearing geometry
- Operation temperature: - 40°C to + 80°C
- Overload protection (Clutching)
- Assembly in cleanroom possible
- Automated 100 % testing of torque
- Preset: according customer specification
- EJOT supplied mating geometry
- Adjustment torque: < 0,4 Nm
- Over detent torque: < 0,7 Nm
- Axial push through force: > 250 N
- Multiple over detents (clutching function) without damage to the threads of the threaded partners
- For higher temperature use of metal screw possible



Adjustment Element



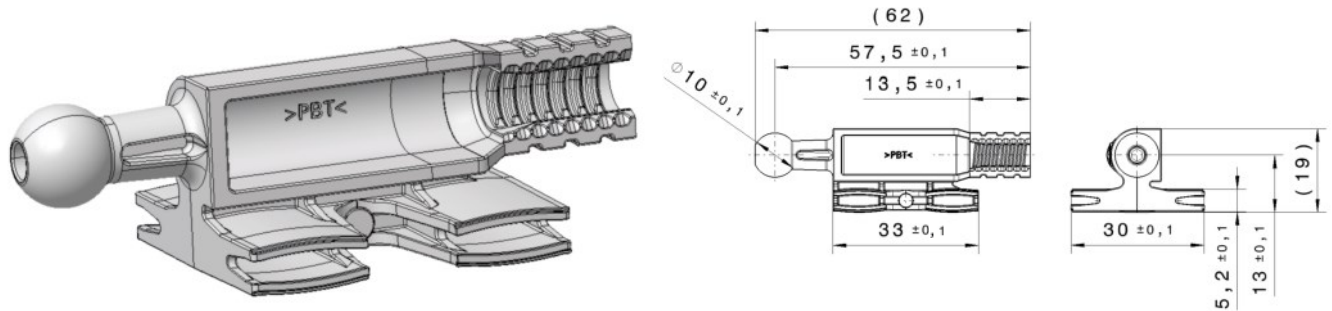
Bevel Gear Assy



Adjustment Screw
57,2 mm - 97 mm

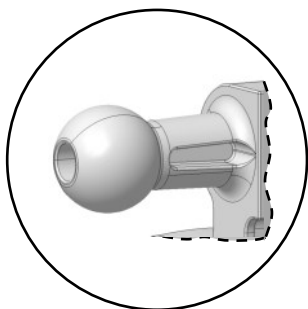
Adjustment Element

Part. No: 860 2844 700

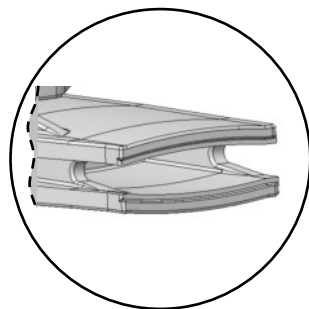


Benefits:

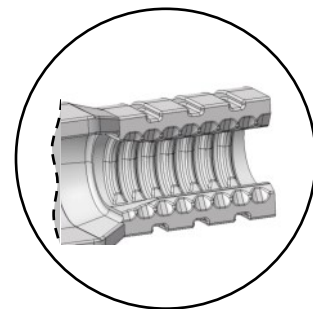
- EJOT developed robust thread geometry
- Material: PBT unfilled / filled (10% - 30 % GF)
- Thread pitch of clutch: 1,7 mm
- Operation temperature: - 40°C to + 80°C
- Overload protection
- Adjustment torque: < 0,4 Nm (with EJOT Screw at room temperature)
- Clutching torque: < 0,7 Nm (with EJOT Screw at room temperature)
- Axial push through force: > 250 N (with EJOT Screw at room temperature)



Ø10mm Ball



Wing Geometry



Clutch & Thread

Adjustment Screw

57,2 mm - 860 2430 700
Yellow



67,0 mm - 860 2861 700
Green



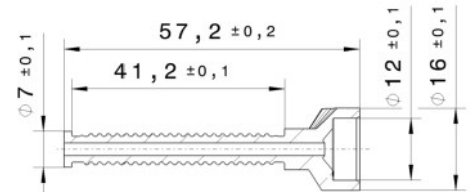
77,0 mm - 860 2862 700
Grey



87,0 mm - 860 2863 700
Natural

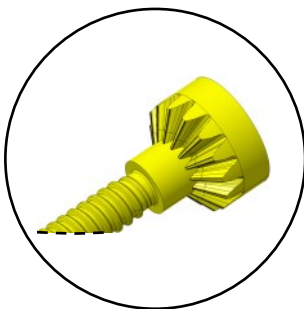


97,0 mm - 860 2864 700
Black

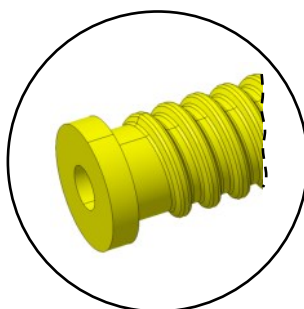


Benefits:

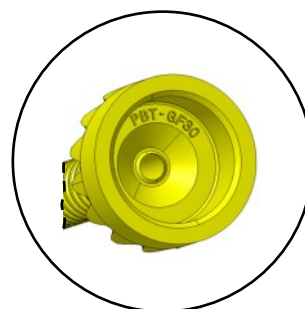
- EJOT developed robust thread geometry
- Material: PBT GF 30 (or GF 50 / POM)
- Robust gearing
- Thread pitch: 1,7 mm
- Spindle size range: 40 mm - 100 mm
- Operation temperature: - 40°C to + 80°C
- End stop
- Integrated bearing
- Available also in steel with pressed on drive gear → Spindle size range: 40 mm - 110 mm
- For higher temperature use of metal screw possible



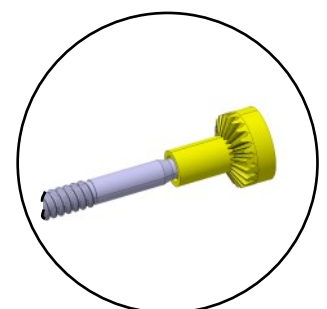
Gearing & Threads



End stop



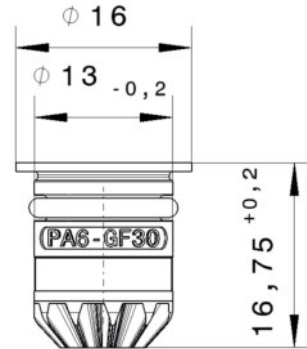
Bearing



Metall Screw with pressed on drive gear (available upon request)

Bevel Gear Assy

Part. No: 860 2435 701

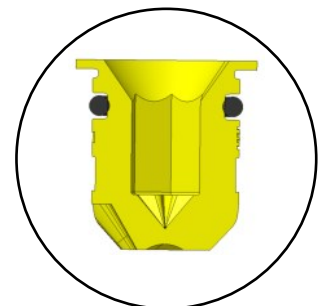


Benefits:

- Robust Gearing
- Operation temperature: - 40°C to + 80°C
- Sealing function
- Easy to install into the housing
- Insertion funnel for adjusting tool
- Long bearing shaft → No tilt (cam out)
- Drive options:
 - Internal hexagon drive, wrench size 6 or 7 mm
 - Phillips drive PH 2
 - Size and type of the drive are customizable according to customer requirements
- Large O-Ring cross section → sealing function
- Automated O-Ring assembly → 100 % check



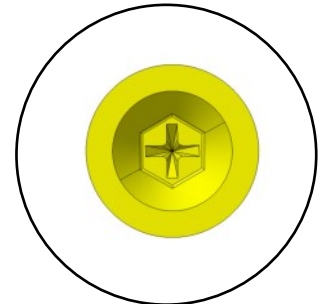
Bevel Gear



Section View



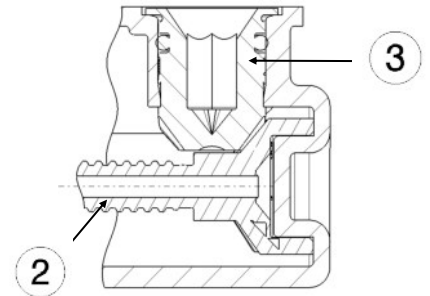
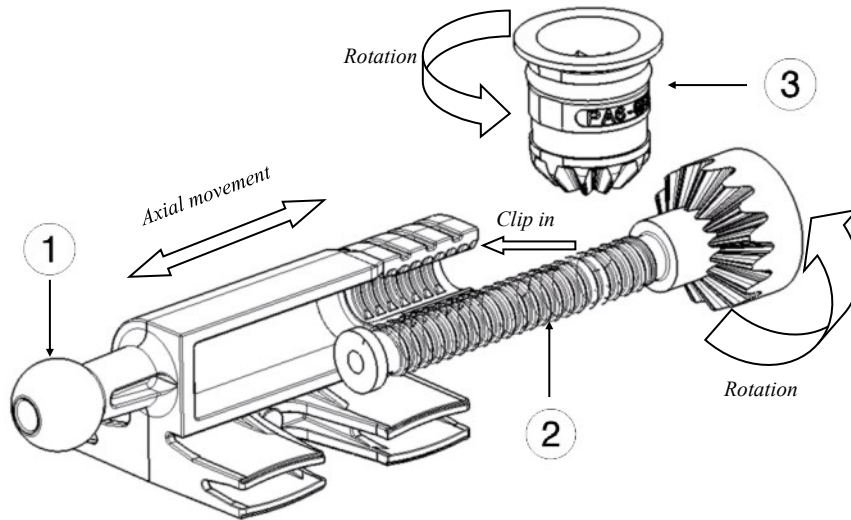
O-Ring



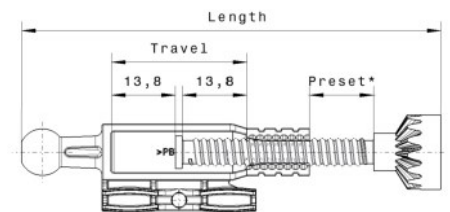
Hexagonal drive & Phillips drive PH2

Sketches / Drawings:

- ① → Adjustment Element
- ② → Adjustment Screw
- ③ → Bevel Gear Assy



Mounting position in Headlamp
(according to mating geometry specification)



Assembly Description:

- Fully automated assembly at room temperature into the adjustment element (Pos.2 into Pos.1)
- Automated adjustment of the preset dimension and automated 100% testing of push through force
- Module adjustment by transferring torque from Pos.3 to Pos.2 in axial direction

Overview of available assembly groups :

① Part No. ② Assembly	① Part No. Adjustment Element	② Part No. Screw	Length of Screw	Travel	Preset *	Length over all
860 2870 701	860 2844 700	860 2430 700	57,2 mm	29,1 mm	14,6 mm	90,4 mm
860 2871 701		860 2861 700	67,0 mm		23,7 mm	100,2 mm
860 2872 701		860 2862 700	77,0 mm		33,7 mm	110,2 mm
860 2873 701		860 2863 700	87,0 mm		43,7 mm	120,2 mm
860 2874 701		860 2864 700	97,0 mm		53,7 mm	130,2 mm

Part No. Bevel Gear Assy ③
860 2435 701

* Preset can be modified to customer specific requirements !

Visit us at www.ejot.com or contact:

EUROPE:
Torsten Fischer
Sales Dept.
Adolf-Böhl Strasse 7
D-57319 Bad Berleburg - Germany
Telefon+49 2751 529-530

NORTH AMERICA:
Pat Brown
Business Development Manager
5811 99th Ave.
Kenosha, WI 53144 – USA
Phone: 262-857-130